



ترانسفورماتور سازی کوشکن

Kooshkan Transformers

Iraq Orders



11/0.416 kV Transformers
According to D26 standard



THREE-PHASE OIL IMMERSED SEALED TYPE DISTRIBUTION TRANSFORMERS
 TECHNICAL SPECIFICATION 11/0.416 kV , BASED ON D26-2022 STANDARD-IRAQ

Description

- Acc. to IEC standards
- Three-phase transformers, for indoor or outdoor use
- Step-down type
- Rated frequency: 50 Hz
- Max ambient Temp :55°C
- Mineral oil immersed
- Sealed Type
- Cooling: ONAN
- Final colour RAL 7032
- Operation altitude up to 1000m above sea level

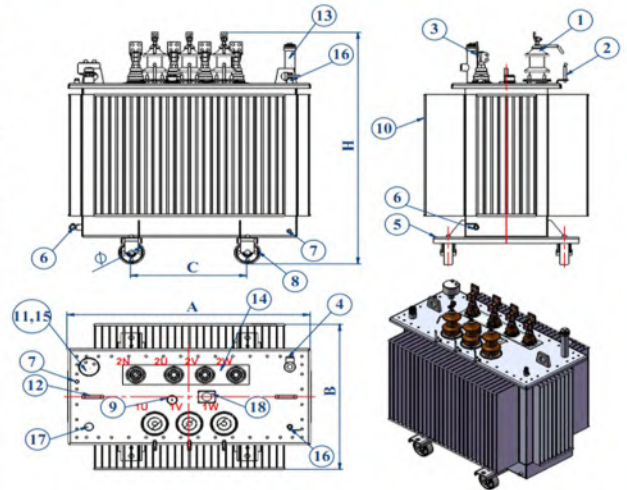
Power	Voltage		Taps in HV side	Vector group	Rated Impedance voltage	Losses		Noise level	Efficiency at full load(min) P.F.=0.8	Total Weight (max)	Overall dimensions(max)			Wheels interval	Wheel diameter
	HV	LV				PO No-load	PK Load(1)				A	B	H		
[kVA]	[kV]	[kV]	[%]		[%]	[W]	[W]	[d B]		[kg]	[mm]	[mm]	[mm]	[mm]	[mm]
100	11	0.416	±2*2.5	Dyn11	4	250	1440	41	97.78	603	935	612	1144	520	---
250	11	0.416	±2*2.5	Dyn11	4	640	2620	46	98.34	1054	1188	960	1290	520	---
400	11	0.416	±2*2.5	Dyn11	4	910	3540	48	98.60	1569	1280	918	1282	670	---
630	11	0.416	±2*2.5	Dyn11	4	1380	5150	50	98.72	2108	1400	954	1528	670	150
1000	11	0.416	±2*2.5	Dyn11	5	1570	9360	51	98.56	3025	1696	1114	1781	820	150

(1) Load loss at 75°C.

Standard Accessories of Distribution Transformer

No.	Accessory	Power(kVA)				
		100	250	400	630	1000
1	HV bushing	•	•	•	•	•
2	Arcing horns	•	•	•	•	•
3	LV bushing	•	•	•	•	•
4	Sight glass	•	•	•	•	•
5	Pulling lug	•	•	•	•	•
6	Oil drain & down Filtering valve	•	•	•	•	•
7	Earthing bolt	•	•	•	•	•
8	Wheel	-	-	-	•	•
9	Off circuit tap changer	•	•	•	•	•
10	Name plate	•	•	•	•	•
11	Oil temperature	•	•	•	•	•
12	Lifting lug	•	•	•	•	•
13	Filling pipe	•	•	•	•	•
14	Anti magnet plate	-	-	•	•	•
15	Thermometer pocket	•	•	•	•	•
16	Up Filtering Valve	•	•	•	•	•
17	Pressure relief device	•	•	•	•	•
18	Terminal sheet	•	•	•	•	•

• Applied accessory



Notes :

- For other electrical characteristics, dimensions and weights, please consult us.
- Ask for confirmation of the information given in this publication. Present document will bind us only after confirmation from Marketing & sales department.

زنجان . شهرک صنعتی شماره ۱ . انتهای خیابان سهروردی ۱

کد پستی : ۴۵۳۳۱۵۳۳۷۸

تلفن : ۰۲۴-۳۲۲۲۱۱۰۰ - ۵

۰۲۴-۳۲۲۲۱۴۰۰

فاکس : ۰۲۴-۳۲۲۲۱۱۰۶